

**JUMO GmbH & Co. KG**

Delivery address: Mackenrodtstraße 14,  
36039 Fulda, Germany  
Postal address: 36035 Fulda, Germany  
Phone: +49 661 6003-0  
Fax: +49 661 6003-607  
E-mail: mail@jumo.net  
Internet: www.jumo.net

**JUMO Instrument Co. Ltd.**

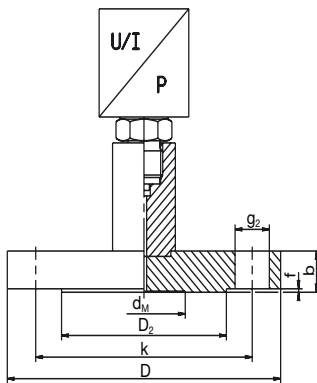
JUMO House  
Temple Bank, Riverway  
Harlow - Essex CM20 2DY, UK  
Phone: +44 1279 63 55 33  
Fax: +44 1279 63 52 62  
E-mail: sales@jumo.co.uk  
Internet: www.jumo.co.uk

**JUMO Process Control, Inc.**

8 Technology Boulevard  
Canastota, NY 13032, USA  
Phone: 315-697-JUMO  
1-800-554-JUMO  
Fax: 315-697-5867  
E-mail: info@jumo.us  
Internet: www.jumo.us



# Chemical Seals with flange connection EN 1092-1 with sealing lip Form B1 Type 409784

**Diaphragm chemical seal without tube****Technical data**

Process connection	Nominal pressure bar	Recommended min. pressure range bar	Weight (without meas. device) kg	Dimensions [mm]						
				D	$d_2$	$d_M$	f	$g_2$	k	b
DN25	PN40	0 - 4	1.40	115	68	28	2	4 x Ø14	85	18
DN50	PN40	0 - 1	3.00	165	102	52	3	4 x Ø18	125	20
	PN64		4.60	180				4 x Ø22	135	26
	PN100		5.70	195				4 x Ø26	145	28
	PN160		6.15	195				4 x Ø26	145	30
	PN250		7.70	200				8 x Ø26	150	38
	PN320		9.50	210				8 x Ø26	160	42
	PN400		14.70	235				8 x Ø30	180	52
DN80	PN16	0 - 0.6	4.35	200	138	80	3	8 x Ø18	160	20
	PN40		5.25	200				8 x Ø18	160	24
	PN64		6.95	215				8 x Ø22	170	28
	PN100		8.85	230				8 x Ø26	180	32
	PN160		10.05	230				8 x Ø26	180	36
	PN250		15.70	255				8 x Ø30	200	46
DN100	PN16	0 - 0.6	4.75	220	158	80	3	8 x Ø18	180	20
	PN40		6.65	235				162	8 x Ø22	190

**JUMO GmbH & Co. KG**

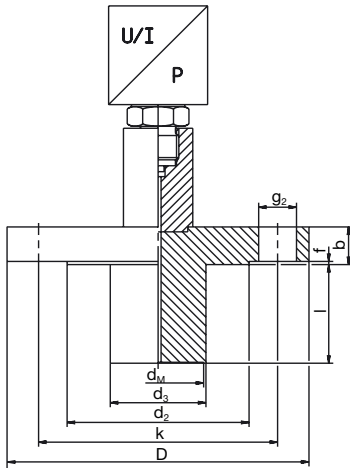
Delivery address: Mackenrodtstraße 14,  
36039 Fulda, Germany  
Postal address: 36035 Fulda, Germany  
Phone: +49 661 6003-0  
Fax: +49 661 6003-607  
E-mail: mail@jumo.net  
Internet: www.jumo.net

**JUMO Instrument Co. Ltd.**

JUMO House  
Temple Bank, Riverway  
Harlow - Essex CM20 2DY, UK  
Phone: +44 1279 63 55 33  
Fax: +44 1279 63 52 62  
E-mail: sales@jumo.co.uk  
Internet: www.jumo.co.uk

**JUMO Process Control, Inc.**

8 Technology Boulevard  
Canastota, NY 13032, USA  
Phone: 315-697-JUMO  
1-800-554-JUMO  
Fax: 315-697-5867  
E-mail: info@jumo.us  
Internet: www.jumo.us

**Diaphragm chemical seal with tube****Technical data**

Process connection	Nominal pressure bar	Recommended min. pressure range bar	Weight (without meas. device) kg	Dimensions [mm]								
				D	d <sub>2</sub>	d <sub>3</sub>	d <sub>M</sub>	f	g <sub>2</sub>	k	b	l
DN50	PN40	0 - 1	3.44	165	102	48.3	45	3	4 x Ø18	125	20	50
			3.76									100
			4.07									150
			4.37									200
DN80	PN16	0 - 0.6	5.25	200	138	76	72	3	8 x Ø18	160	20	50
			5.81									100
			6.37									150
			6.92									200
	PN40		24								6.15	50
											6.71	100
											7.27	150
											7.82	200
DN100	PN16	0 - 0.6	6.25	220	158	94	80	3	8 x Ø18	180	20	50
			7.50									100
			8.75									150
			10.00									200
	PN40		24	8.15	235	162	8 x Ø22	190	24	50		
				9.40						100		
				10.70						150		
				12.00						200		

**JUMO GmbH & Co. KG**  
 Delivery address: Mackenrodtstraße 14,  
 36039 Fulda, Germany  
 Postal address: 36035 Fulda, Germany  
 Phone: +49 661 6003-0  
 Fax: +49 661 6003-607  
 E-mail: mail@jumo.net  
 Internet: www.jumo.net

**JUMO Instrument Co. Ltd.**  
 JUMO House  
 Temple Bank, Riverway  
 Harlow - Essex CM20 2DY, UK  
 Phone: +44 1279 63 55 33  
 Fax: +44 1279 63 52 62  
 E-mail: sales@jumo.co.uk  
 Internet: www.jumo.co.uk

**JUMO Process Control, Inc.**  
 8 Technology Boulevard  
 Canastota, NY 13032, USA  
 Phone: 315-697-JUMO  
 1-800-554-JUMO  
 Fax: 315-697-5867  
 E-mail: info@jumo.us  
 Internet: www.jumo.us



**Order details**

- (1) Basic type**  
 409784 Chemical seal with flange connection to EN 1092-1, with sealing lip Form B1
- (2) Basic type extension**  
 00 no tube  
 19 with tube
- (3) Process connection**  
 632 DN25  
 635 DN50  
 637 DN80  
 638 DN100
- (4) Nominal pressure in bar**  
 016 PN16  
 040 PN40  
 064 PN64  
 100 PN100  
 160 PN160  
 250 PN250  
 320 PN320  
 400 PN400
- (5) Tube length**  
 000 no tube  
 050 tube 50 mm long  
 100 tube 100 mm long  
 150 tube 150 mm long  
 200 tube 200 mm long
- (6) Material**  
 20 st. steel  
 99 special material<sup>1</sup>
- (7) Filling liquid**  
 1 silicone oil  
 2 halogenized oil  
 3 vegetable oil
- (8) Capillary**  
 0000 no capillary  
 0001 with cooling device  
 1000 1.0 m capillary  
 1500 1.5 m capillary  
 2000 2.0 m capillary  
 3000 3.0 m capillary  
 5000 5.0 m capillary

	(1)	(2)	(3)	(4)	(5)	(6)	(7)	(8)
<b>Order code</b>	<input type="text"/>	/ <input type="text"/>	- <input type="text"/>	- <input type="text"/>	- <input type="text"/>	- <input type="text"/>	- <input type="text"/>	- <input type="text"/>
<b>Order example</b>	409784	/ 19	- 635	- 040	- 050	- 20	- 3	- 1500

<sup>1</sup> please specify in plain text when ordering

**Accessory**

**Flushing device**

Connections to EN 1092-1, sealing lip Form B1, and former DIN 2526, sealing lip Form D

Process connection	Nominal pressure bar	Dimensions [mm]				Weight [kg]	Sales No.
		d1	d2	g	h		
DN50	PN 16 - 400	102	62	1/2"NPT	30	1.1	40/00432697
DN80		138	92			1.9	40/00438998
DN100		162	92			3.15	40/00439001